

BYX-RJ45 Signal Surge Protective Device



BYX-RJ45/DD48

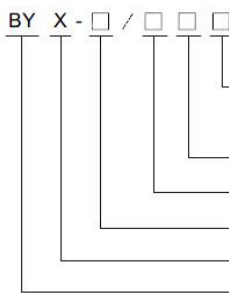


BYX-RJ45/DF5

Introduction

BYX-RJ45 series signal surge protective devices are customized for ethernet network, token-ring. They meet various different lightning protection zones requirements. Product output and input terminal adopt RJ45(F/M) connectors, installation conveniently. Product design is complied with IEC 61643-2DRAFT standard, suitable for server, working station, hub, broad band and RJ45 connectors protection to protect equipments from damage when wires circuit is induced by over voltage or arising equipotential.

Denominated indication



Operating voltage: 5-DC5V 12-DC12V 24-DC24V
48-DC48V 110-DC110V
Frequency range: C-2MHz D-10MHz F-100MHz
Protective lines: A-3,4 B-2,5 C-2,3,4,5 D-1,2,3,6 E-3,4,5,6
Connectors: RJ45
Signal category
Surge protective device

Installation and Application

- Installed at the interface of the data line between LPZ1 and LPZ3.
- Be suitable for various computer network (ethernet network, token-ring,) Server, Router, hub, Broad band etc.

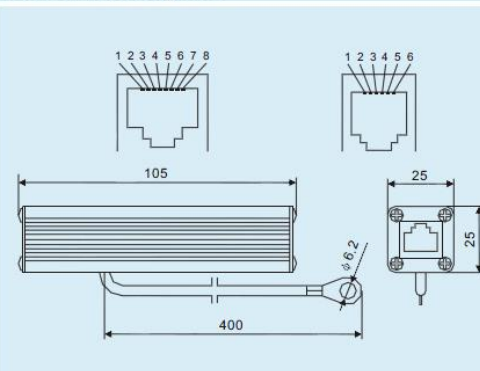
Performance parameters

Type	BYX-RJ45 /							
	DD5	ED5	DD12	ED12	DD24	ED24	ED48	ED48
Operating voltage Un	DC5V		DC12V		DC24V		DC48V	
Max. Continuous operating voltage Uc	DC6V		DC15V		DC30V		DC60V	
Limited voltage Up(10/700 μs)	≤40V		≤60V		≤120V		≤200V	
Nominal discharge current In 8/20 μs (kA)					3kA			
Impulse protective voltage Ur(1Kv/ μs)					≤600V			
Frequency range					10MHz			
Insertion loss					<0.5dB			
Connectors	RJ45							
Protective lines	1,2,3,6	3,4,5,6	1,2,3,6	3,4,5,6	1,2,3,6	3,4,5,6	1,2,3,6	3,4,5,6
Protection mode	Full=scale protection							
Response time	<1ns							
House material	shielded metal aluminium							

Features

- Small return circuit cross-section, excellent protection performance
- Low residual voltage, quickly response time
- With over voltage and over current protective functions.

Dimension diagram



Electric principle

