

BY6 Series Surge Protective Device



BY6-40/2-385



BY6-40/4-385

Introduction

BY6 series products have a good discharge capacity, its max. discharge current can be 40~60kA of single module. This series is suitable for protection level-C (Class 2) of low voltage power system. You can select different combination wiring methods according to different power supply system.

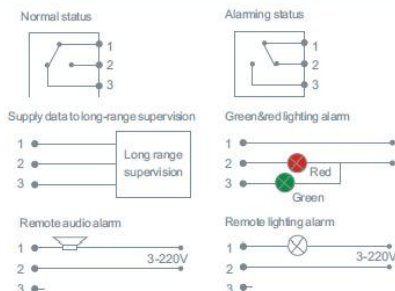
- Energy-rich voltage dependent resistor, nanosecond level speed of response;
- Capacity of overheated and surge protection;
- Visual display instruction¹⁾ and remote signal terminal²⁾;

1) A visual display on the protector about its operation;

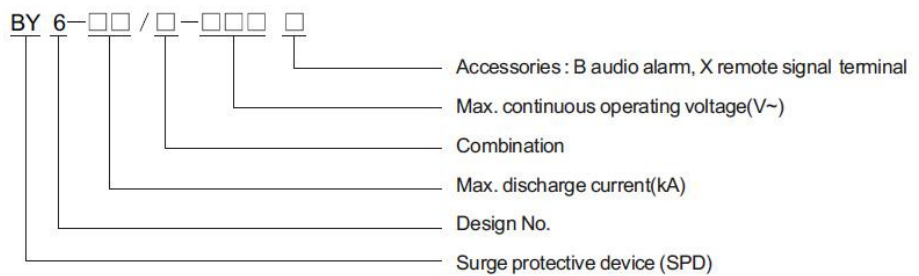
2) A terminal effecting the long-distance monitor the operation of the protector, outside connecting lines needed;

- Convenient to be pulled or inserted, possible to remove failed module;
- External dimensions conform to the modulus electric appliance standard, which is convenient for combination of terminal electric appliances;
- Independent single module instruction;
- DIN rail 35mm installation

Wiring diagram of remote signal terminal



Denominated indication

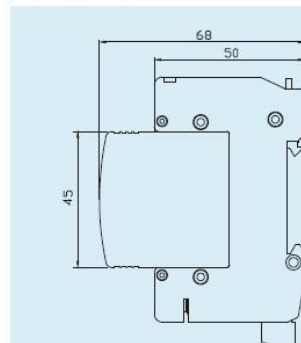


Performance parameters

Type	BY6-60	BY6-40	BY6-N-PE
	Limiting type	Limiting type	Switching type
Max. continuous operating voltage ¹⁾ Uc (V)	385	385	255
Nominal discharge current In 8/20 μs (kA)	30	20	40
Max. load current I _{max} 8/20 μs (kA)	60	40	60
Voltage protection level Up (kV)	1.8	1.8	1.0
Fuse	63	32	-
Functional indication	Green window: functional; red window: failed		
Remote signal contacts	A couple of NO, NC contacts		
Wiring capacity	1.5~25mm ²		
Dimension	See drawing		
House material	Complied with UL94V-0		
House protection level	IP20		
Installation method	35mm DIN rail		

Note 1): Max. Continuous operating voltage optional: 275V, 320V, 385V, 420V, 485V and 550V

Dimension



Circuit Diagram

