

BY1 Series Surge Protective Device



BY1-D/2-320-5



BY1-C/2-320-20



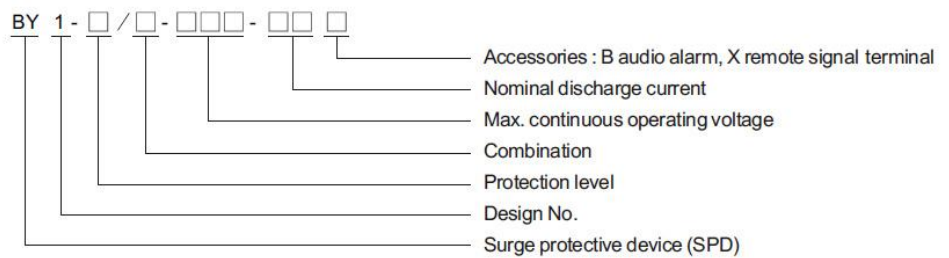
BY1-B/4-385-30

Introduction

BY1 series products have a good discharge capacity. This series is suitable for protection level - C (Class 2) and level-D (Class 3) of low voltage power system. You can select different combination wiring methods according to different power supply system.

- Energy-rich voltage dependent resistor, nanosecond level speed of response;
 - Capacity of overheated and surge protection;
 - Visual display instruction¹⁾ and remote signal terminal²⁾;
- 1) A visual display on the protector about its operation;
 - 2) A terminal effecting the long-distance monitor the operation of the protector, outside connecting lines needed;
- Convenient to be pulled or inserted, possible to remove failed module;
 - DIN rail 35mm installation

Denominated indication

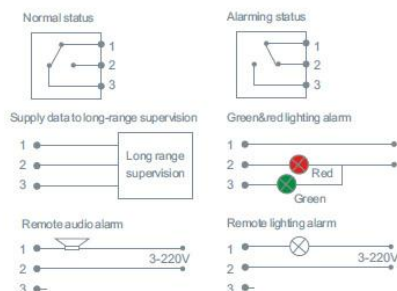


Performance parameters

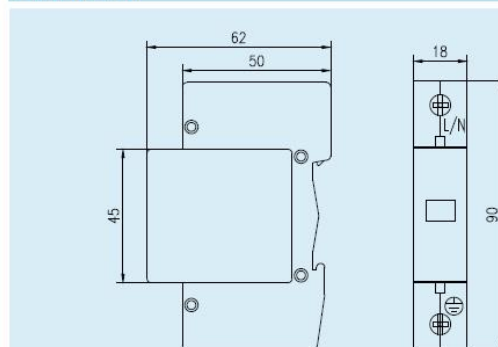
Type	BY1-C	BY1-D	BY1-N-PE
	Limiting type	Limiting type	Switching type
Max. continuous operating voltage ¹⁾ U _c (V)	385	320	255
Nominal discharge current I _n 8/20 μs (kA)	20	10	40
Max. load current I _{max} 8/20 μs (kA)	40	20	60
Voltage protection level U _p (kV)	1.8	1.5	1.0
Fuse	32	20	-
Functional indication	Green window: functional; red window: failed		
Remote signal contacts	A couple of NO, NC contacts		
Audio alarm	Optional		
Wiring capacity	1.5~35mm ²		
Dimension	See drawing		
House material	Complied with UL94V-0		
House protection level	IP20		
Installation method	35mm DIN rail		

Note1): Max. Continuous operating voltage optional: 275V, 320V, 385V, 420V, 485V and 550V .

Wiring diagram of remote signal terminal



Dimension



Circuit Diagram

