

## ATR06 Series

### Features

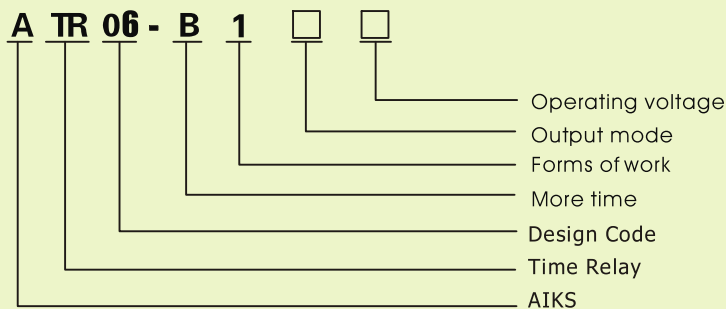
- High-performance CPU chips
- variety of operating modes
- various delays specifications contact
- double shows at the same time note time value and set
- Dimensions: 96 × 48 × 83 (mm)



### ► Technical parameters

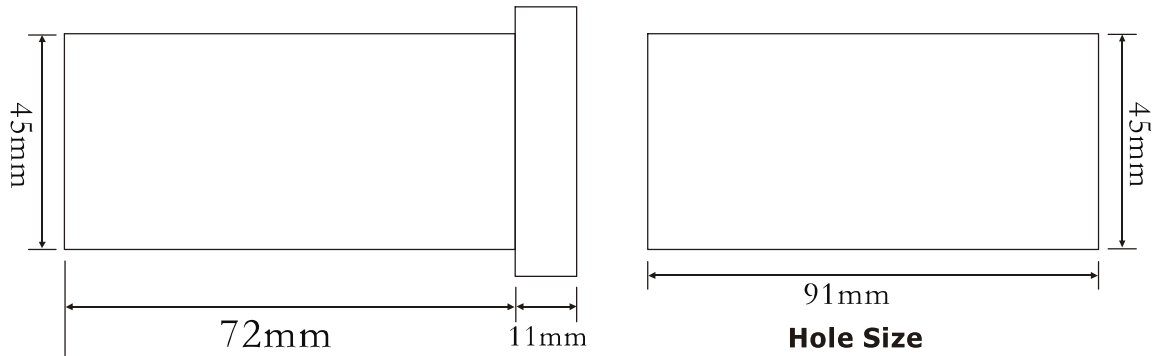
Type	ATR06-B1	ATR06-B2	ATR06-B3	ATR06-B4
Contact form	Convert-delay 1, Reset (clear)	Convert-delay 2, Reset (clear)	1-delay conversion, with instantaneous contact, Reset (clear)	2-delay conversion, with instantaneous contact, Reset (clear)
Operating voltage	12V, 24V, 36V, 48V, 110V, 220V, 380V, Wide voltage K: 85~264VAC			
Delay range	0.01S~99.99S, 1M~99H99M, 1S~99M99S			
Forms of work	Are free to set the timing (U), countdown (D) mode.			
Error	Action time to repeat the error $\pm 0.05\% \pm 50\text{ms}$ , voltage error $\pm 0.05\% \pm 50\text{ms}$ (relative to the set ratio)			
Voltage range	85%~110% Rated voltage (DC12V为90%~110%)			
Mechanical life	$1 \times 10^5$ OPS (5A AC250V COS $\phi$ =1, Switching frequency 1800 times / hour)			
Electrical life	$1 \times 10^5$ OPS (No load, switching frequency 1800 times / hour)			
Power	$2W \leq 5VA$			
Timing Resolution	10ms			
Temperature&Humidity	0~50°C $\leq 95\%$ (Non-condensing)			
Maximum output current	3A 250VAC (Resistive load)			

### ► Model description

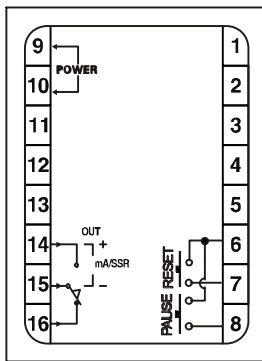


Note:  
Output mode:  
space (no representation):  
default setting for the relay output  
(S: solid-state relay output, DR: that 0-12VDC output  
The two kinds of output mode must be specified  
when ordering)

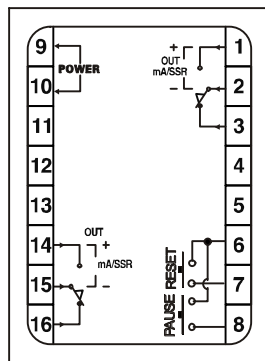
► Layout, mounting dimensions unit: mm



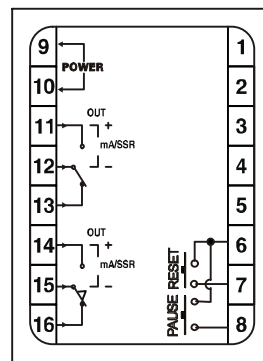
► Wiring diagram



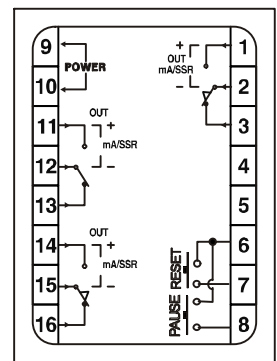
ATR06-B1



ATR06-B2



ATR06-B3



ATR06-B4

► Wiring diagram shows

