

ATR04 Series

Features

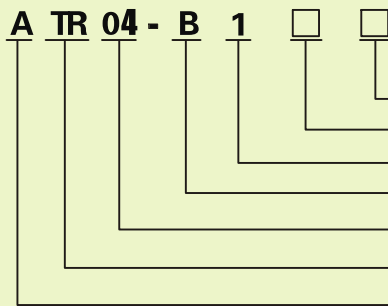
- High-performance CPU chips
- variety of operating modes
- various delays specifications contact
- double shows at the same time note time value and set v
- variety of installation methods, with a variety of outlets t
- Dimensions: 48 × 48 × 95 (mm)



► Technical parameters

Type	ATR04-B1	ATR04-B2	ATR04-B3
Contact form	Convert-delay 1 , Reset (clear)	Convert-delay 2 , Reset (clear)	1-delay conversion, with instantaneous contact, Reset (clear)
Operating voltage	AC 110V、220V、380V、DC 12V、24V		
Delay range	0.01S~99.99S、1M~99H99M、1S~99M99S		
Forms of work	Are free to set the timing (U), countdown (D) mode.		
Error	Action time to repeat the error $\pm 0.05\% \pm 50\text{ms}$, voltage error $\pm 0.05\% \pm 50\text{ms}$ (relative to the set ratio)		
Voltage range	85%~110% Rated voltage (DC12V为90%~110%)		
Mechanical life	1×10^8 OPS (5A AC250V COS ϕ =1, Switching frequency 1800 times / hour)		
Electrical life	1×10^8 OPS (No load, switching frequency 1800 times / hour)		
Power	2W \leq 5VA		
Timing Resolution	10ms		
Temperature&Humidity	0~50°C \leq 95% (Non-condensing)		
Maximum output current	3A 250VAC (Resistive load)		

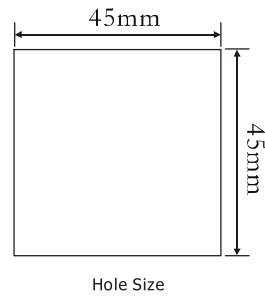
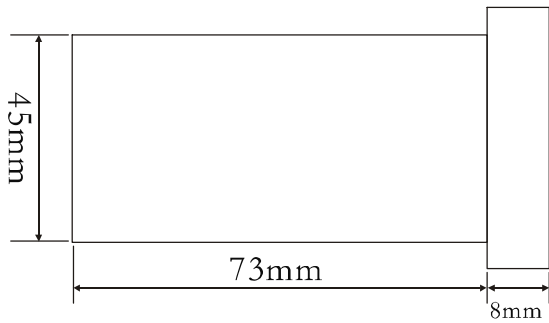
► Model description



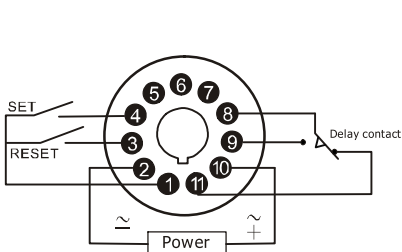
Operating voltage
Output mode
Forms of work
More time
Design Code
Time Relay
AIKS

Note:
Output mode:
space (no representation):
default setting for the relay output
(S: solid-state relay output, DR: that 0-12VDC output
The two kinds of output mode must be specified
when ordering)

► Layout, mounting dimensions unit: mm

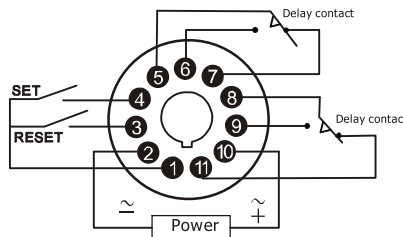


► Wiring diagram



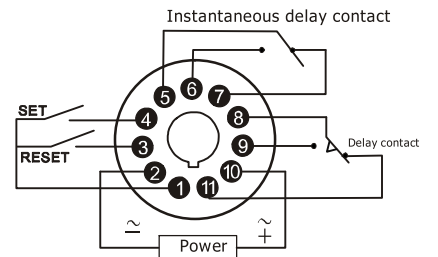
ATR04-B1 Wiring diagram

Note: SET: start; RESET: Reset




ATR04-B2 Wiring diagram

Note: SET: start; RESET: Reset



ATR04-B3 Wiring diagram

Note: SET: start; RESET: Reset

Note: Please carefully check the wiring diagram to ensure correct wiring against wiring errors resulting in product damage. 

► Wiring diagram shows

