

ASRP3

Features

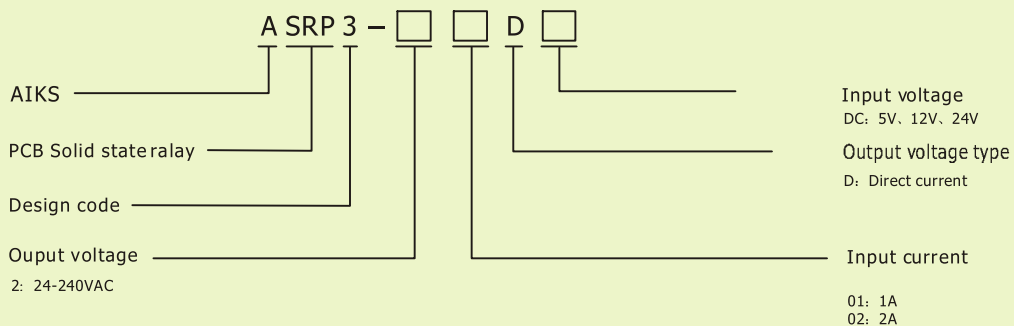
- Max 2-3A switching available
- AC output, DCinput
- PCB Installs
- Outline size: 31.5×8.5×11.5(mm)



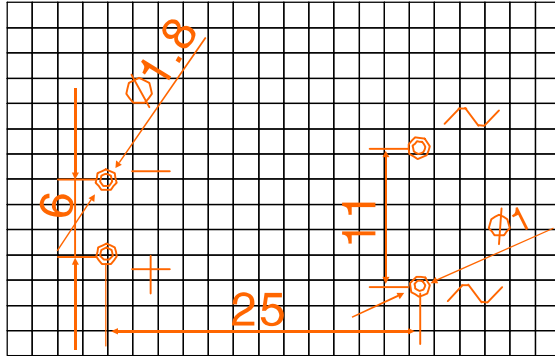
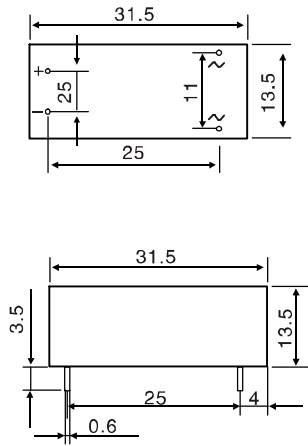
► TECHNICAL PARAMETRIC

Rating work current	2A/3A
Breaths condition the control voltage	≤3mA
Input control voltage	DC:5V、12V、24V
Work voltage	24-240VAC
Active status instruction	LED
Guarantees breakover	3VDC
Guarantees shutdown voltage	1VDC
Ambient temperature	-30℃~80℃
Passes condition the pressuredrop	≤1.3VAC
Make-and-break time	10uS
Arequency range	47~53Hz
Control current	7~12mA
Dielectric Strength	AC2500V 1min
Terminal structure	Printing foundation plate post

► MODEL DESCRIPTION

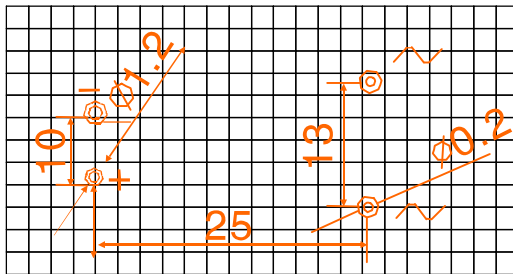
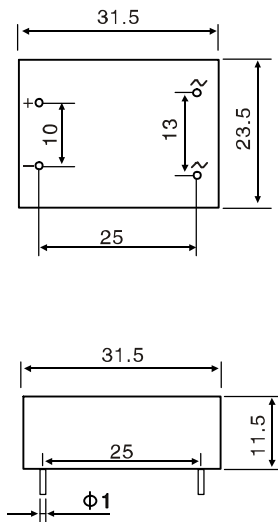


▶ OUTLINE DIMENSION WITH INSTALLATION SIZE Unit: mm



线路板开孔尺寸 (元件面)
breadboard radiation opening size (component side)

ASRP3-201D



线路板开孔尺寸 (元件面)
breadboard radiation opening size (component side)

ASRP3-202D/203D

▶ INTERNAL CIRCUIT CONSTITUTION/WIRING DIAGRAM

