

ASR02

Features

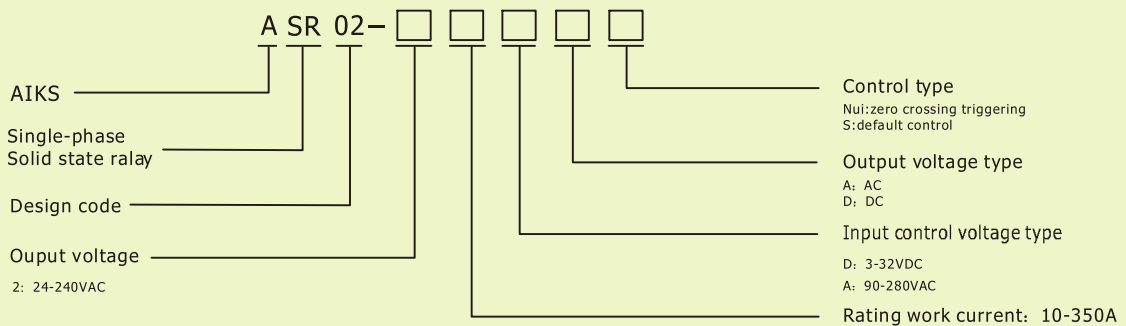
- Max 40-100A switching available
- Twophase AC or DC output, AC or DC input
- Built-in RC resistor, Low on-resistance
- Dielectric strength min: 2500VAC
- With LED, confirm the action



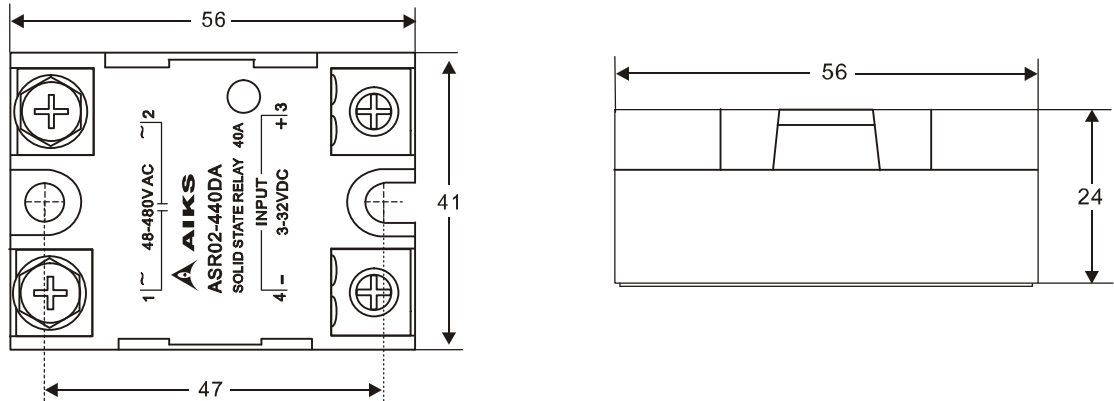
► TECHNICAL PARAMETRIC

Rating work current	40A、50A、60A、80A、100A
Breaths condition the control voltage	≤ 4mA
Input control voltage	DC: 3~32V AC: 90~280V
Work voltage	AC: 24-240V、38-380V、48-480V、80-750V
Active status instruction	LED
Guarantees breakover	3VDC 90VAC
Guarantees shutdown voltage	1VDC 20VAC
Ambient temperature	-30℃~80℃
Passes condition the pressuredrop	≤ 1.8VAC
Control type	Zero crossing triggering
Make-and-break time	DC: ≤ 10μS AC: ≤ 30μS
Arequency range	50/60Hz
Control current	5~20mA 2~18mA
Dielectric Strength	AC2500V 1min
Terminal structure	Bolt post

► MODEL DESCRIPTION



▶ OUTLINE DIMENSION WITH INSTALLATION SIZE Unit: mm



▶ INTERNAL CIRCUIT CONSTITUTION/WIRING DIAGRAM

