

ASR01

Features

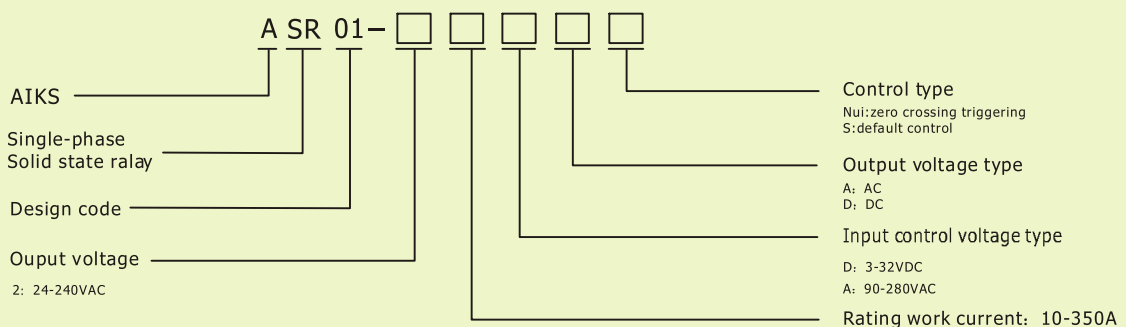
- Max 10-40A switching available
- Twophase AC or DC output, AC or DC input
- Built-in RC resistor, Low on-resistance
- Dielectric strength min: 2500VAC
- With LED, confirm the action



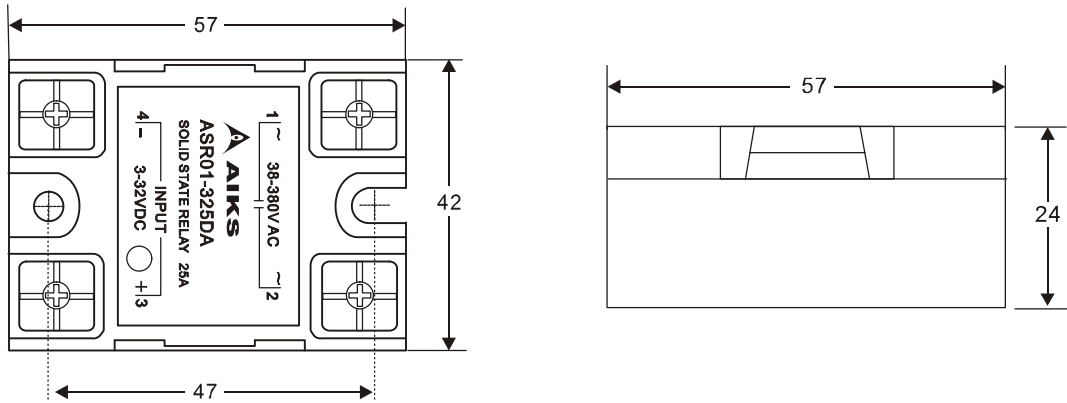
► TECHNICAL PARAMETRIC

Rating work current	10A, 15A, 25A, 40A
Breaths condition the control voltage	≤ 4.5mA
Input control voltage	DC: 3~32V AC: 90~280V
Work voltage	24-240VAC 38-380VAC
Active status instruction	LED
Guarantees breakover	3VDC 90VAC
Guarantees shutdown voltage	1VDC 20VAC
Ambient temperature	-30°C~80°C
Passes condition the pressuredrop	≤ 1.5VAC
Control type	Zero crossing triggering
Make-and-break time	DC: ≤ 10uS AC: ≤ 30uS
Arefrequency range	50/60Hz
Control current	4.5~20mA 2~15mA
Dielectric Strength	AC2500V 1min
Terminal structure	Bolt post

► MODEL DESCRIPTION



▶ OUTLINE DIMENSION WITH INSTALLATION SIZE Unit: mm



ASR01-DD Series

▶ INTERNAL CIRCUIT CONSTITUTION/WIRING DIAGRAM

