

AS2201 series

Features

- Mounting diameter: $\phi 22\text{mm}$
- The head actuator varieties, modular combination structure,
- Contact self-cleaning function, access reliable,
- The lamp button with super bright LED available
- Convenient plastic nut installation



► Technical parameters

Contactor resistance		$\leq 50\text{m}\Omega$
Insulation resistance		$\geq 100\text{m}\Omega$
Contact Resistance		2000VAC 1min
Shock resistance		10~55Hz 0.75mm DA
Vibration resistance		Durability: 500 Misoperation: 200
Performance life	Mechanical	Push button: $1 \times 10^7\text{OPS}$
		Self-lock: $2.5 \times 10^6\text{OPS}$
		Turn button: $2.5 \times 10^6\text{OPS}$
		Key button: $2.5 \times 10^6\text{OPS}$
	Other: $1 \times 10^6\text{OPS}$	
	Electrical	$\geq 5 \times 10^5\text{OPS}$
Vibration resistance		$-25^\circ\text{C} \sim +55^\circ\text{C}$ (No dew coagulation)
Humidity		45%~85% RH
Protection		IP40
Connection screws torque		$0.8\text{N} \cdot \text{m}$ (8.16kgf · cm)

► LED lamp data

Color	R:Red, G:Green, B:Black Y:Yellow, A:Blue, W:White
Light bead specification	AS2201-L (LED)
Rating voltage	6V,12V,24VDC 220VAC*
Rating current	15mA
Electrical endurance	40,000hrs

► Contact

Rated working voltage		600VAC		
The rated operating current fever		10A		
Rated working current		24V	110V	220V
Rate form(Max current)	AC(Resistant)	-	10A	6A
	Inductive	-	-	-
	DC(Resistant)	8A	2.2A	1.1
	Inductive	-	-	-
Contact material		Silveroxidation cadmium		

► Model interpretation

AS 2201 - □ □ □ / □ □ □

AIKS Push button

Design code

Contact form
 10: 1NO
 01: 1NC
 11: 1NO+1NC
 20: 2NO
 02: 2NC

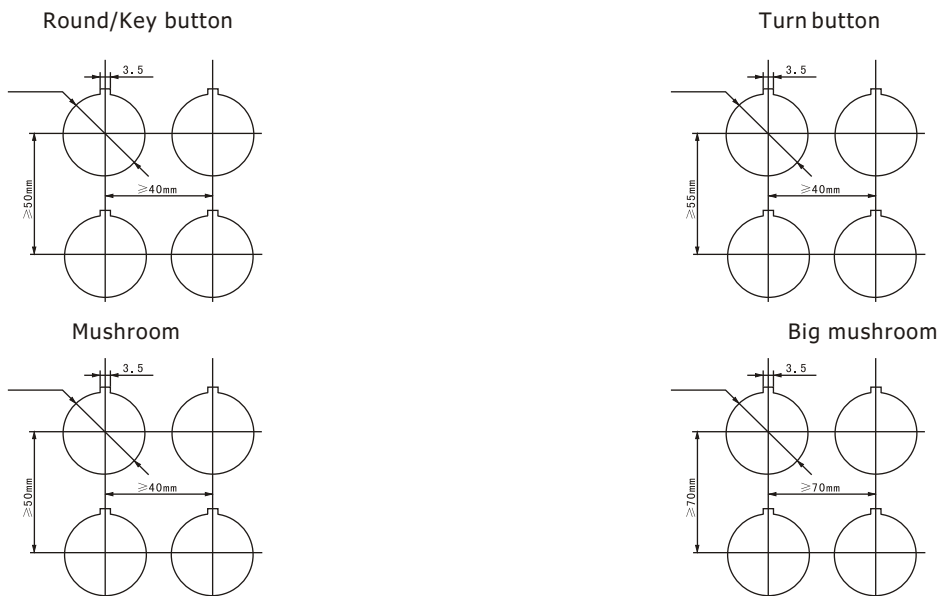
Type with lamp and voltage
 Nil: No-with lamp
 Type with voltage: 6VDC 12VDC 24VDC 220VAC

Lampshade color
 R: ● (Red) G: ● (Green) Y: ● (Yellow)
 A: ● (Blue) B: ● (Black) W: ● (White)



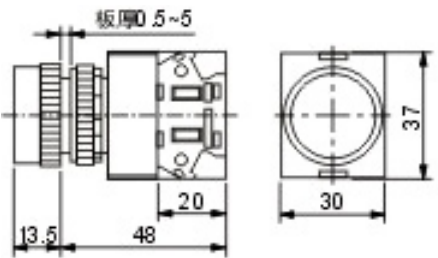


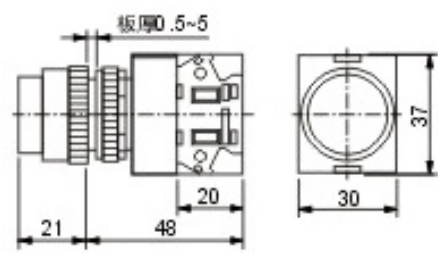


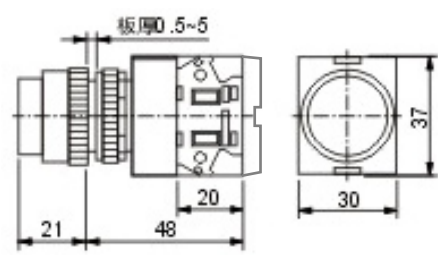


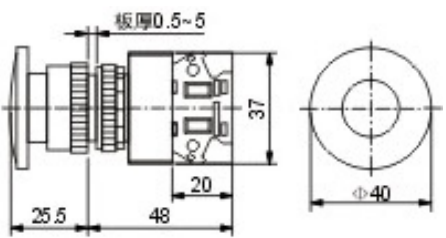
Turn button gear quantity
 2: 2 Segments 3: 3 Segments

Operation category
 Nil: Push button auto-resetting CX: Turnbutton with longhandel
 G: High button Y: Key push button
 T: Push button aub-locking M: Mushroom push button
 D: Push button with light ZS: Stop instance push button
 X: Turn button



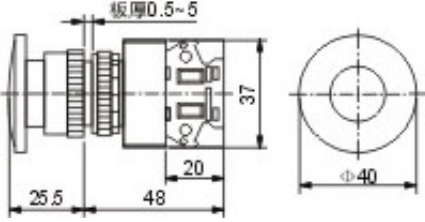
► Installation size diagram Unit: mm



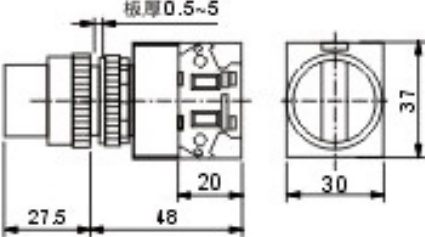


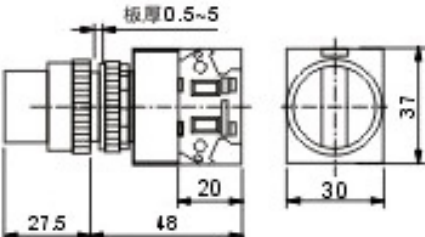


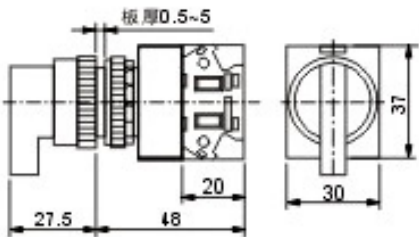


► Description


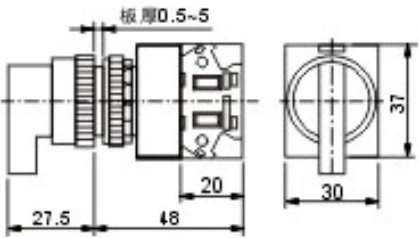

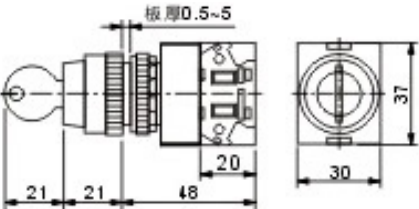

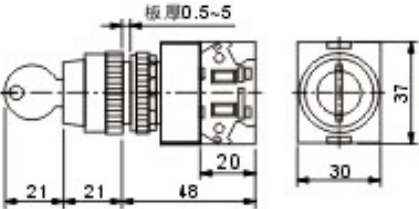
Shape	Work mode	Contact	Model	Lampshade color	Outline size(mm)	
Round 	Self-restoring	1NO	AS2201-10			
		1NC	AS2201-01			
		1NO+1NC	AS2201-11			
		2NO	AS2201-20			
	Self-locking	2NC	AS2201-02			
		1NO	AS2201-10T			
		1NC	AS2201-01T			
		1NO+1NC	AS2201-11T			
		2NO	AS2201-20T			
		2NC	AS2201-02T			
High 	Self-restoring	1NO	AS2201-10G			
		1NC	AS2201-01G			
		1NO+1NC	AS2201-11G			
		2NO	AS2201-20G			
	Self-locking	2NC	AS2201-02G			
		1NO	AS2201-10GT			
		1NC	AS2201-01GT			
		1NO+1NC	AS2201-11GT			
2NO	AS2201-20GT					
2NC	AS2201-02GT					
Round 	Self-restoring (Lampshade colors: A, G, R, W, Y)	1NO	AS2201-10D□			
		1NC	AS2201-01D□			
		1NO+1NC	AS2201-11D□			
		2NO	AS2201-20D□			
		2NC	AS2201-02D□			
		Self-locking (Lampshade colors: A, G, R, W, Y)	1NO			AS2201-10TD□
			1NC			AS2201-01TD□
		Self-locking (Lampshade colors: A, G, R, W, Y)	1NO+1NC			AS2201-11TD□
	2NO		AS2201-20TD□			
	Self-locking (Lampshade colors: A, G, R, W, Y)	2NC	AS2201-02TD□			
Mushroom 	Self-restoring	1NO	AS2201-10M			
		1NC	AS2201-01M			
		1NO+1NC	AS2201-11M			
		2NO	AS2201-20M			
	Self-locking	2NC	AS2201-02M			
		1NO	AS2201-10MT			
		1NC	AS2201-01MT			
		1NO+1NC	AS2201-11MT			
		2NO	AS2201-20MT			
		2NC	AS2201-02MT			


► Description


Stop instant 	Press to lock and rotade 60° on the right to reset	1NO	AS2201-10ZS		
		1NC	AS2201-01ZS		
		1NO+1NC	AS2201-11ZS		
		2NO	AS2201-20ZS		
		2NC	AS2201-02ZS		

Round 	L R 90° 2 Digital lock	1NO	AS2201-10XF/2		
		1NC	AS2201-01XF/2		
		1NO+1NC	AS2201-11XF/2		
		2NO	AS2201-20XF/2		
		2NC	AS2201-02XF/2		
	L R 90° 2 Digital lock	1NO	AS2201-10X/2		
		1NC	AS2201-01X/2		
		1NO+1NC	AS2201-11X/2		
		2NO	AS2201-20X/2		
		2NC	AS2201-02X/2		
Round 	L C R 45° 3 Digital lock	1NO	AS2201-10XF/3		
		1NC	AS2201-01XF/3		
		1NO+1NC	AS2201-11XF/3		
		2NO	AS2201-20XF/3		
		2NC	AS2201-02XF/3		
	L C R 45° 3 Digital lock	1NO	AS2201-10X/3		
		1NC	AS2201-01X/3		
		1NO+1NC	AS2201-11X/3		
		2NO	AS2201-20X/3		
		2NC	AS2201-02X/3		
Round 	L R 90° 2 Digital lock	1NO	AS2201-10CXF/2		
		1NC	AS2201-01CXF/2		
		1NO+1NC	AS2201-11CXF/2		
		2NO	AS2201-20CXF/2		
		2NC	AS2201-02CXF/2		
	L R 90° 2 Digital lock	1NO	AS2201-10CX/2		
		1NC	AS2201-01CX/2		
		1NO+1NC	AS2201-11CX/2		
		2NO	AS2201-20CX/2		
		2NC	AS2201-02CX/2		

► Description

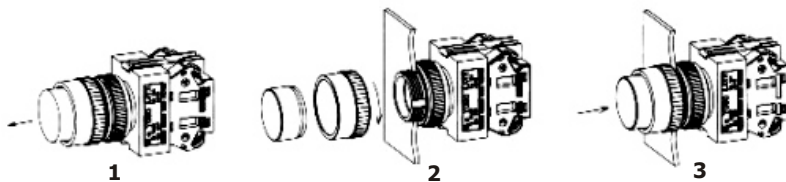
Shape	Work mode	Contact	Model		Outline size(mm)
Round 	L C R 45° 3 Digital lock	1NO	AS2201-10CXF/3	B	
		1NC	AS2201-01CXF/3		
		1NO+1NC	AS2201-11CXF/3		
		2NO	AS2201-20CXF/3		
		2NC	AS2201-02CXF/3		
	L C R 45° 3 Digital lock	1NO	AS2201-10CX/3		
		1NC	AS2201-01CX/3		
		1NO+1NC	AS2201-11CX/3		
		2NO	AS2201-20CX/3		
		2NC	AS2201-02CX/3		
Round 	L R 90° 2 Digital lock	1NO	AS2201-10Y/2	B	
		1NC	AS2201-01Y/2		
		1NO+1NC	AS2201-11Y/2		
		2NO	AS2201-20Y/2		
		2NC	AS2201-02Y/2		
Round 	L C R 45° 3 Digital lock	1NO	AS2201-10Y/3	B	
		1NC	AS2201-01Y/3		
		1NO+1NC	AS2201-11Y/3		
		2NO	AS2201-20Y/3		
		2NC	AS2201-02Y/3		

Shape	Contact	Model
Auxiliary contact 	1NO	AS2001-10F

Shape	Contact	Model
Auxiliary contact 	1NC	AS2001-01F

※: 1) In case of no tolerance shown in outline dimension: outline dimension ≤ 1mm, tolerance should be ± 0.2mm; outline dimension > 1mm and ≤ 5mm, tolerance should be ± 0.3mm; outline dimension > 5mm, tolerance should be ± 0.4mm
 2) □ Denotes the type with lamp and different voltages

► Installation methods of panel



1, with a screwdriver to pry the cover button, aluminum nut unscrew.
 2, the panel will switch to bottom hole.
 3 and nut and screw, then will toggle mask.