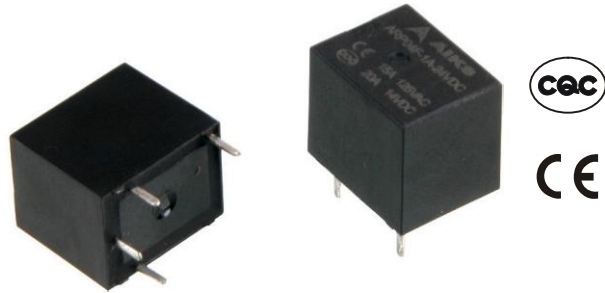


ARP04F

Features

- Max 20A switching capability
- 1 form A and 1 form C contact arrangement
- Coil voltage: 3~48VDC
- Contact capacity: 15A 14VDC
- Outline size: 15.5×11×11.5 (mm)



▶ CONTACT DATA

Contact arrangement	1A 1C	2A
Contact Resistance	50mΩ (1A 24 VDC)	
Contact material	Ag Alloy	
Contact rating(Res.load)	20A 14VDC 5A 250VAC 7A 125VAC	2 × 6A 14VDC
Max.switching voltage	250VAC 16VDC	
Max.switching current	25A	2 × 10A
Max.switching power	280W 1250VA	2 × 84W
Mechanical endurance	1 × 10 ⁷ OPS	
Electrical endurance	5 × 10 ⁵ OPS	

▶ CHARACTERISTICS

Insulation resistance	100MΩ (at 500VDC)	
Dielectric strenght	Between coil & contacts	1000VAC min
	Between open contacts	500VAC 1min
Operate time(at nomi.volt)	10ms max.	
Release time(at nomi.volt)	5ms max.	
Shock resistance	Functional	98m/s ²
	Destructive	980m/s ²
Vibration resistance	10Hz ~ 55Hz 1.5mm DA	
Humidity	35% ~ 85% RH	
Ambient temperature	-40℃ ~ 85℃	
Termination	PCB	
Unit weight	Approx.6g	
Construction	Plastic Sealed	

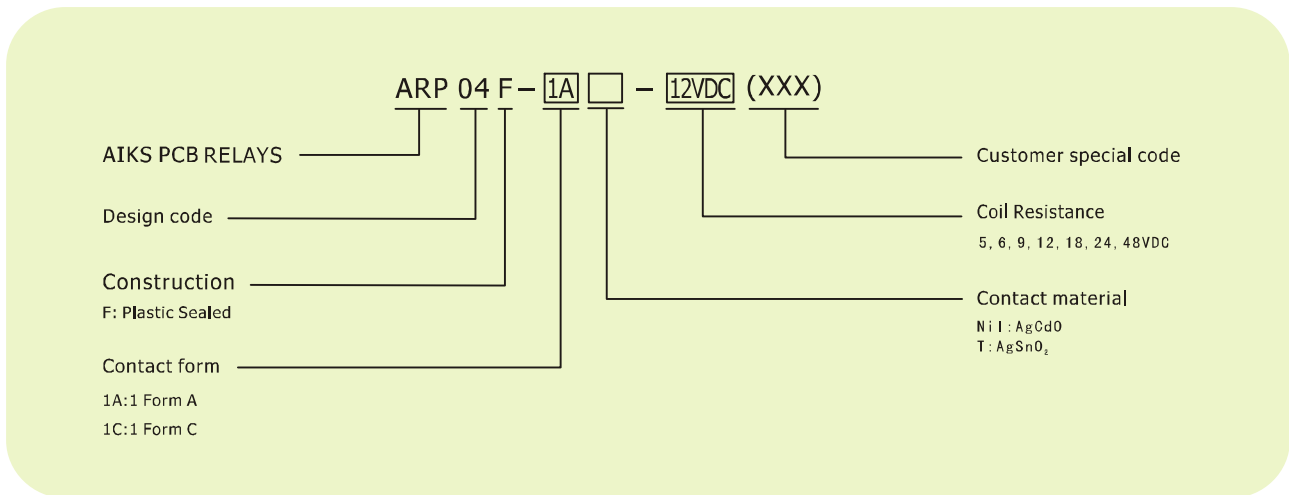
Notes:1)For sealed type,the vent-hole cover should be excised.
 2)The data shown above are initial values.
 3)Please find coil tempearture curve in the characteristic curves below.

► COIL DATA

Coil power	B:800mW; N:600mW;
------------	-------------------

Nominal Voltage VDC	Pick-up Voltage VDC	Drop-out Voltage VDC	Max.Allowable Voltage VDC at 85°C	Coil Resistance Ω	
				0.8W	0.6W
6	3.9	0.6	9.0	45	60
9	5.85	0.9	13.5	100	135
12	7.8	1.2	18.0	180	240
24	15.6	2.4	36.0	720	960

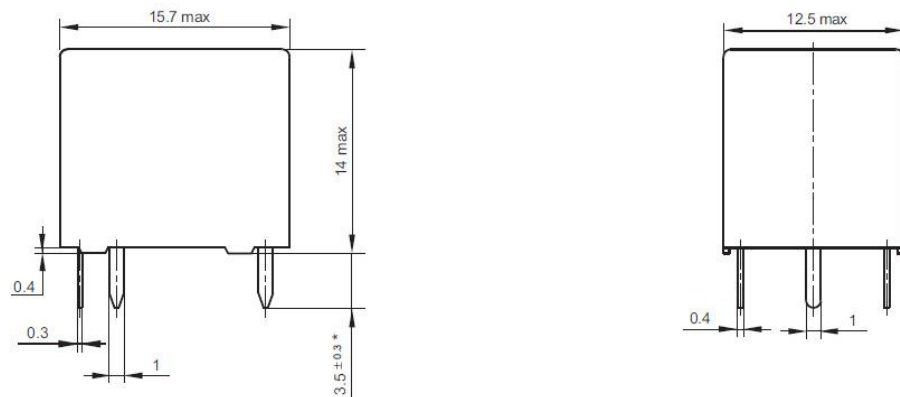
► MODEL DESCRIPTION



► OUTLINE DIMENSIONS, WIRING DIAGRAM AND PC BOARD LAYOUT Unit: mm

1 Form C

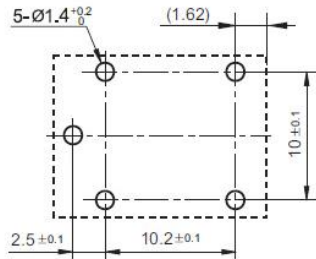
Outline dimensions



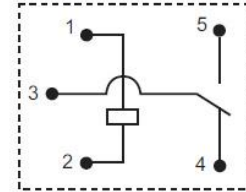
▶ OUTLINE DIMENSIONS, WIRING DIAGRAM AND PC BOARD LAYOUT Unit: mm

1 Form C

PC Board Layout
(Bottom)

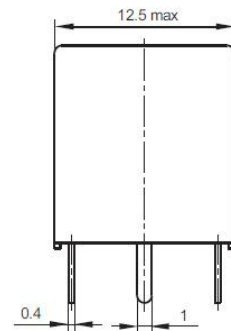
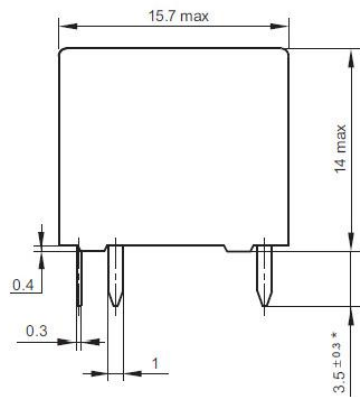


Wiring Diagram
(Bottom)

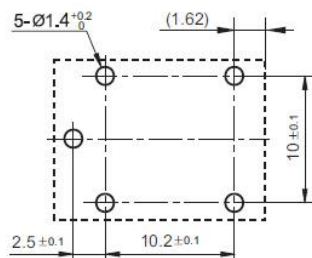


1 Form A

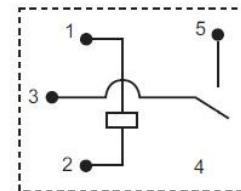
Outline dimensions



PC Board Layout
(Bottom)



Wiring Diagram
(Bottom)



- Remark: 1) In case of no tolerance shown in outline dimension: outline dimension ≤ 1 mm, tolerance should be ± 0.2 mm; outline dimension > 1 mm and ≤ 5 mm, tolerance should be ± 0.3 mm; outline dimension > 5 mm, tolerance should be ± 0.4 mm
2) The tolerance without indicating for PCB layout is always ± 0.1 mm.