

ARP03F

Features

- Max 3A switching capability
- 1 form A and 1 form C contact arrangement
- Coil voltage: 3~48VDC
- Contact capacity: 1A 24VDC / 125VAC
- Outline size: 15.5×11×11.5 (mm)



▶ CONTACT DATA

Contact arrangement	1C
Contact Resistance	100mΩ (1A 24 VDC)
Contact material	Ag Alloy
Contact rating(Res.load)	1A 125VAC/30VDC 1A 240VAC/30VDC 2A 125VAC, 3A 120VAC 5A 120VAC
Max.switching voltage	240VAC 30VDC
Max.switching current	5A
Max.switching power	600VA/30W
Mechanical endurance	1×10 ⁷ OPS
Electrical endurance	1×10 ⁵ OPS

▶ CHARACTERISTICS

Insulation resistance	100MΩ (at 500VDC)	
Dielectric strenght	Between coil & contacts	1000VAC min
	Between open contacts	500VAC 1min
Operate time(at nomi.volt)	10ms max.	
Release time(at nomi.volt)	5ms max.	
Shock resistance	Functional	98m/s ²
	Destructive	980m/s ²
Vibration resistance	10Hz ~ 55Hz 1.5mm DA	
Humidity	35% ~ 85% RH	
Ambient temperature	-25°C ~ 70°C	
Termination	PCB	
Unit weight	Approx.5g	
Construction	Plastic Sealed	

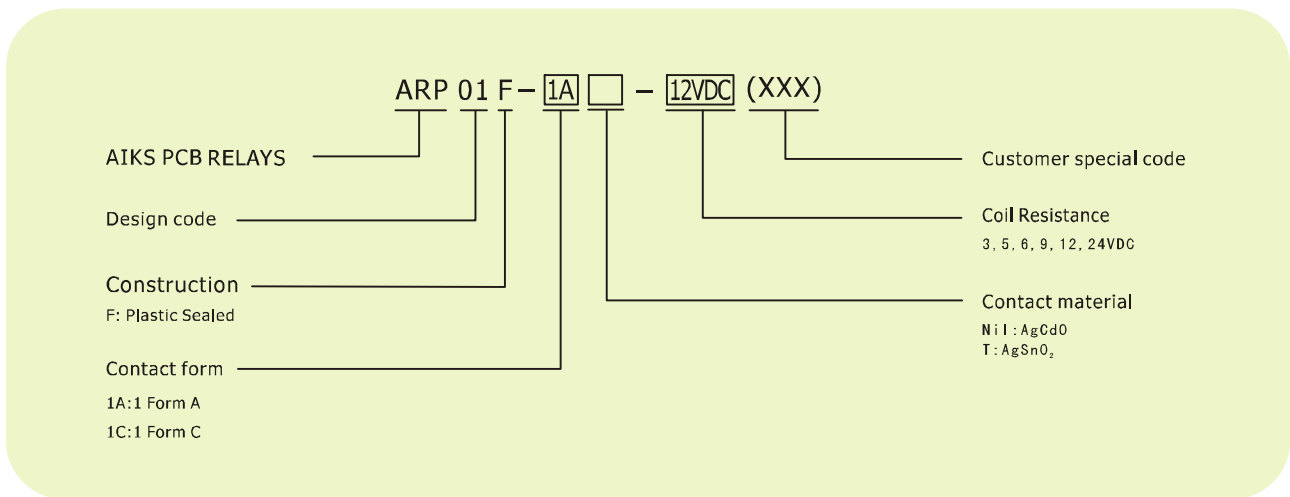
Notes:1)For sealed type,the vent-hole cover should be excised.
2)The data shown above are initial values.
3)Please find coil tempearture curve in the characteristic curves below.

► COIL DATA

Coil power	B:450mW; N:360mW; H200mW
------------	--------------------------

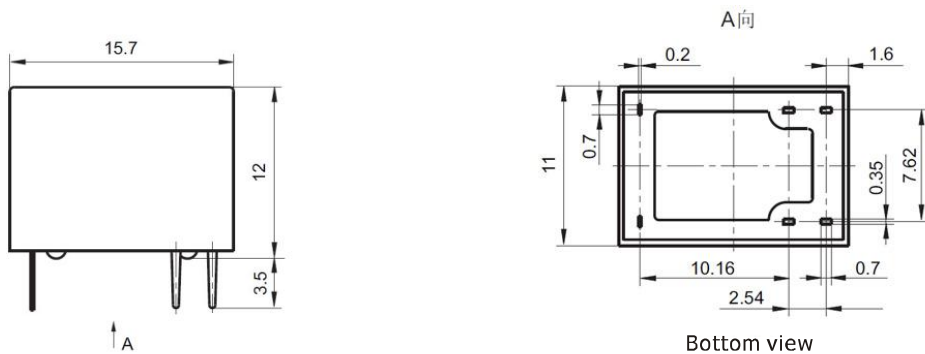
Nominal Voltage VDC	Pick-up Voltage VDC	Drop-out Voltage VDC	Max. Allowable Voltage VDC at 85°C	Coil Resistance Ω		
				H	N	B
3	2.3	0.3	3.9	45	25	20
5	3.8	0.5	6.5	120	70	56
6	4.5	0.6	7.8	180	100	80
9	6.8	0.9	11.7	400	220	180
12	9.0	1.2	15.6	700	400	320
24	18.0	2.4	31.2	2800	16000	1280

► MODEL DESCRIPTION



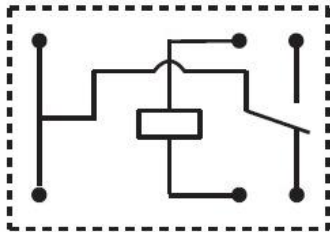
► OUTLINE DIMENSIONS, WIRING DIAGRAM AND PC BOARD LAYOUT Unit: mm

Outline dimensions

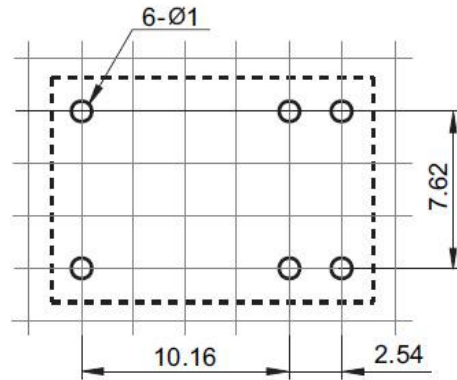


▶ **OUTLINE DIMENSIONS, WIRING DIAGRAM AND PC BOARD LAYOUT** Unit: mm

Wiring Diagram



PC Board Layout (Bottom)



Remark: 1) In case of no tolerance shown in outline dimension: outline dimension $\leq 1\text{mm}$, tolerance should be $\pm 0.2\text{mm}$; outline dimension $> 1\text{mm}$ and $\leq 5\text{mm}$, tolerance should be $\pm 0.3\text{mm}$; outline dimension $> 5\text{mm}$, tolerance should be $\pm 0.4\text{mm}$
 2) The tolerance without indicating for PCB layout is always $\pm 0.1\text{mm}$.

▶ **Characteridtic curves**

