

ARG Series

Features

- 30A switching capability (1A, 2A, type)
- Long life (Min. 100,000 electrical operations)
- Industry standard 8 or 11 round terminals
- Coil voltage: 6~380V AC, 6~220VDC
- Sockets available



► CONTACT DATA

Contact arrangement	1A	2A
Contact Resistance	≤ 50mΩ	
Contact material	Ag alloy	
Contact rating (Res. load)	277VAC, 30A	277VAC, 25A
Max. switching power	8310VA	6925VA
Max. switching voltage	30VDC/286VAC	
Max. switching current	30A	25A
Mechanical endurance	1×10 ⁷ OPS	
Electrical endurance	1×10 ⁵ OPS	

► CHARACTERISTICS

Insulation resistance	≥ 100MΩ (500VDC)	
Dielectric strength	Between coil & contacts	4000VAC 1min (Leakage current 1min)
	Between open contacts	2000VAC 1min (Leakage current 1min)
Operate time (at nomi. volt)	30ms max.	
Release time (at nomi. volt)	30ms max.	
Shock resistance	Functional	98m/s ²
	Destructive	980m/s ²
Vibration resistance	10Hz ~ 55Hz 1.5mm DA	
Humidity	35% ~ 85% RH	
Ambient temperature	-25°C ~ 55°C	
Termination	PCB, Plug	
Unit weight	Pug-in: Approx. 90g Screw terminal type : Approx. 120g	
Construction	Plug, Screw terminal type, PCB welding	

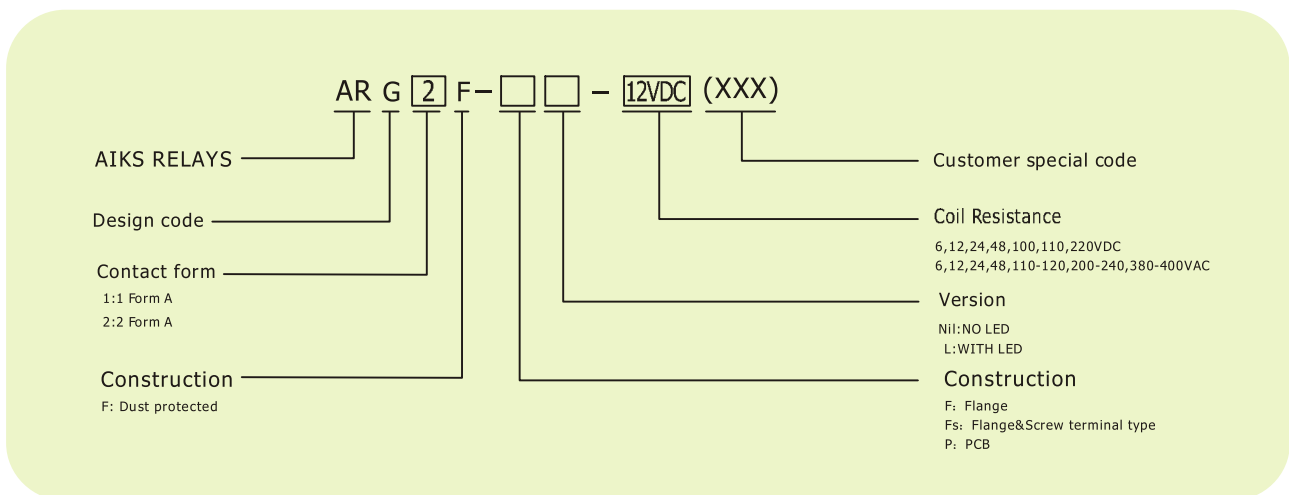
► COIL DATA

Coil power	VDC: 0.9~1.1W; VAC: 1.2~1.8VA
------------	-------------------------------

Nominal Voltage VDC	Pick-up Voltage VDC	Drop-out Voltage VDC	Max.Allowable Voltage VDC at 85°C	Coil Resistance Ω
6	4.0	0.50	5.5	18.9 × (1 ± 10%)
12	4.8	0.60	6.6	75 × (1 ± 10%)
24	9.6	1.20	13.2	303 × (1 ± 10%)
48	19.2	2.40	26.4	1220 × (1 ± 10%)
100	38.4	4.80	52.8	5260 × (1 ± 10%)
110	88.0	11.0	121	6360 × (1 ± 10%)
220	176.0	22.0	242	25474 × (1 ± 10%)

Nominal Voltage VDC	Pick-up Voltage VDC	Drop-out Voltage VDC	Max.Allowable Voltage VDC at 85°C	Coil Resistance Ω
6	4.80	1.80	6.6	17 × (1 ± 10%)
12	9.60	3.60	13.2	65 × (1 ± 10%)
24	19.2	7.20	26.4	275 × (1 ± 10%)
48	38.4	14.4	52.8	1100 × (1 ± 10%)
100-120	96.0	36.0	132	5200 × (1 ± 10%)
200-240	176.0	72.0	264	21000 × (1 ± 10%)
380-400				62650 × (1 ± 10%)

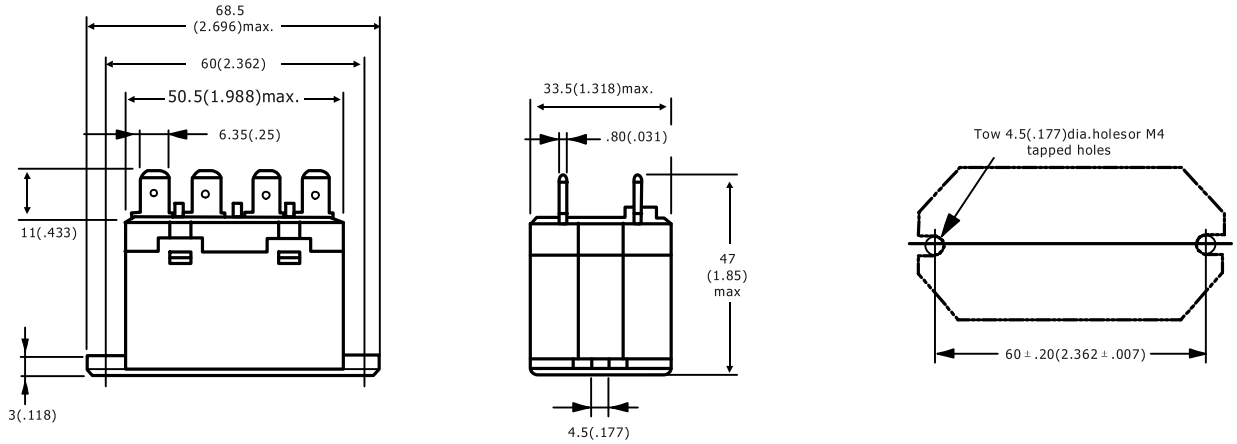
► MODEL DESCRIPTION



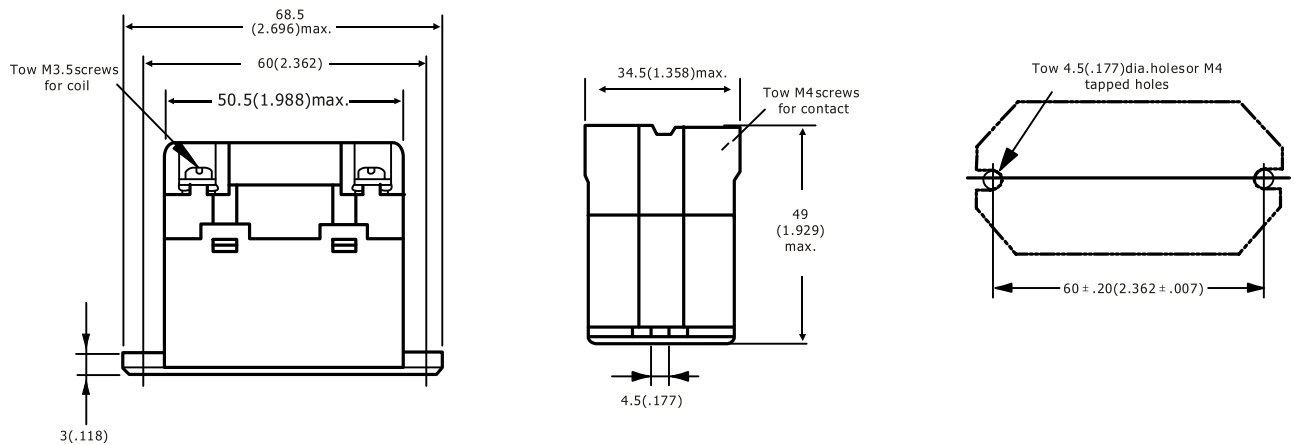
▶ OUTLINE DIMENSIONS, WIRING DIAGRAM AND PC BOARD LAYOUT Unit: mm

Outline Dimensions

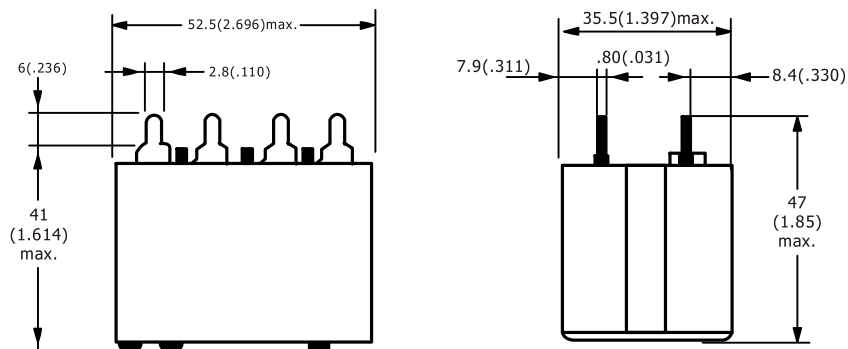
ARG□F-F



ARG□F-FS

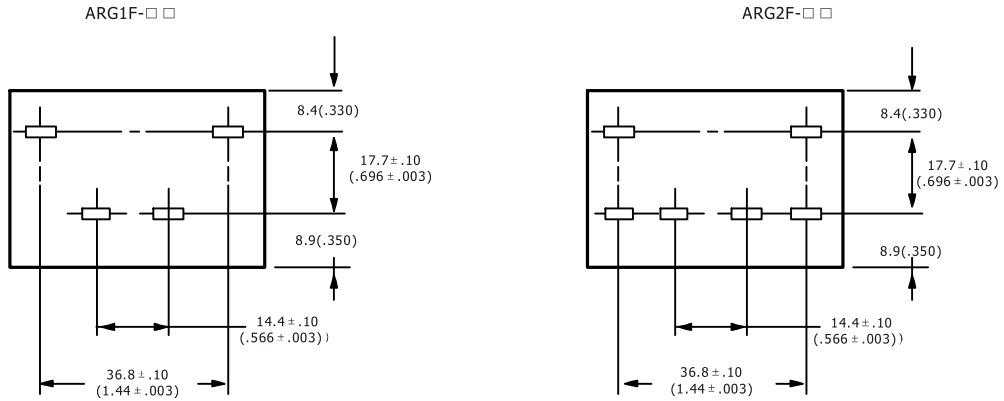


ARG□F-P



▶ **OUTLINE DIMENSIONS, WIRING DIAGRAM AND PC BOARD LAYOUT** Unit: mm

Outline Dimensions



Wiring Diagram



▶ **Characteridtc curves**

