

AR301/2 series

Features

- 40A (1C) ,30A(2C)switching capability
- Coil voltage:6~380V AC,6~220VDC
- Mounting type: PCB, flange-mounting , screw-mounting



► CONTACT DATA

Contact arrangement	1C	2C
Contact Resistance	100m Ω (1A 24 VDC)	
Contact material	Silver Alloy	
Contact rating(Res.load)	40A/28VDC 40A/240VAC	30A/28VDC 30A/240VAC
Max.switching power	1120W/9600VA	840W/7200VA
Max.switching voltage	30VDC/286VAC	
Max.switching current	40A	30A
Mechanical endurance	1 \times 10 ⁵ OPS	
Electrical endurance	5 \times 10 ⁴ OPS	

► CHARACTERISTICS

Insulation resistance	100M Ω (500VDC)	
Dielectric strenght	Between coil & contacts	2000VAC 1 min
	Between open contacts	1250VAC 1min
Operate time(at nomi.volt)	25ms max.	
Release time(at nomi.volt)	25ms max.	
Shock resistance	Functional	98m/s ²
	Destructive	980m/s ²
Vibration resistance	10Hz ~55Hz 1.5mm DA	
Humidity	98% RH,40 $^{\circ}$ C	
Ambient temperature	-25 $^{\circ}$ C ~55 $^{\circ}$ C	
Termination	Plug、 Mounting plate	
Unit weight	Approx.100g	
Construction	Dust protected	

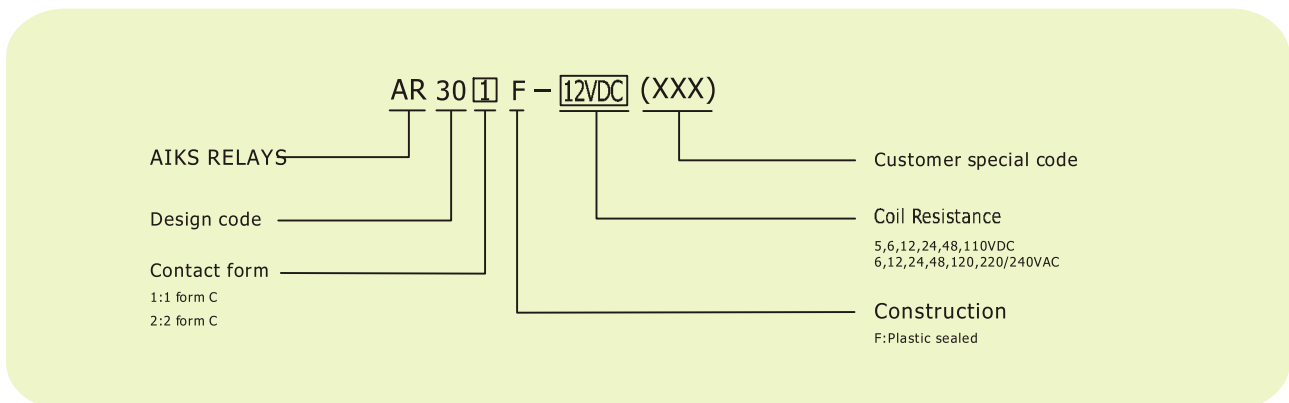
► COIL DATA

Coil power	VDC: 2.5W(Approx); VAC: 3VA(Approx)
------------	-------------------------------------

Nominal Voltage VDC	Pick-up Voltage VDC	Drop-out Voltage VDC	Max.Allowable Voltage VDC at 85°C	Coil Resistance Ω
6	4.5	0.60	6.6	14.4 × (1 ± 10%)
12	9.0	1.20	13.2	57.6 × (1 ± 10%)
24	18.0	2.40	26.4	230 × (1 ± 10%)
36	27.0	3.60	39.6	520 × (1 ± 10%)
48	36.0	4.80	52.8	920 × (1 ± 10%)
60	45.0	6.0	66.0	1450 × (1 ± 10%)
110	82.5	11.0	121.0	4850 × (1 ± 10%)
220	165.0	22.0	242.0	19360 × (1 ± 10%)

Nominal Voltage VAC	Pick-up Voltage VAC	Drop-out Voltage VAC	Max.Allowable Voltage VAC at 85°C	Coil Resistance Ω
6	4.80	1.8	6.6	4.2 × (1 ± 10%)
12	9.60	3.6	13.2	16.8 × (1 ± 10%)
24	19.2	7.2	26.4	67.2 × (1 ± 10%)
36	28.8	10.8	39.6	151.2 × (1 ± 10%)
48	38.4	14.4	52.8	268.8 × (1 ± 10%)
60	48.0	18.0	66.0	420 × (1 ± 10%)
100	80.0	30.0	110.0	1160 × (1 ± 10%)
110	88.0	33.0	121.0	1411 × (1 ± 10%)
220	176.0	66.0	242.0	5646 × (1 ± 10%)
380	304.0	114.0	418.0	16850 × (1 ± 10%)

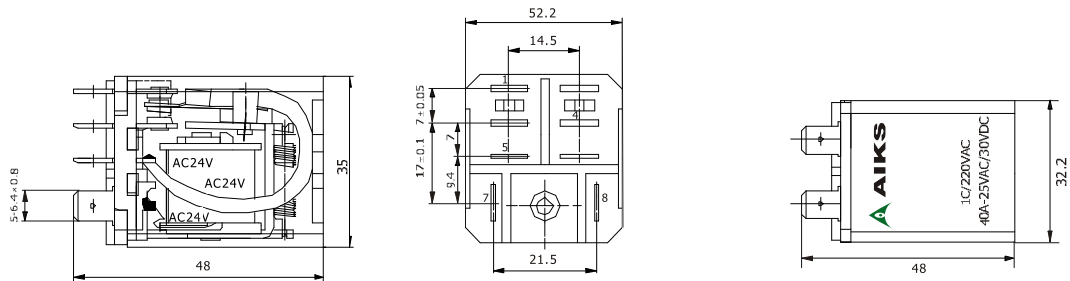
► MODEL DESCRIPTION



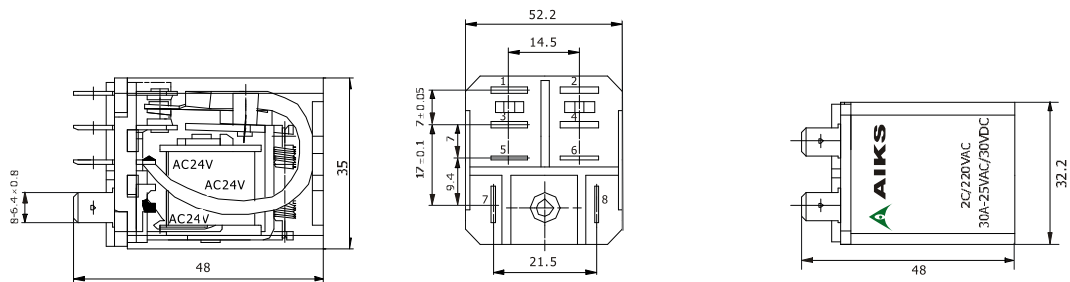
▶ OUTLINE DIMENSIONS, WIRING DIAGRAM AND PC BOARD LAYOUT Unit: mm

Outline Dimensions

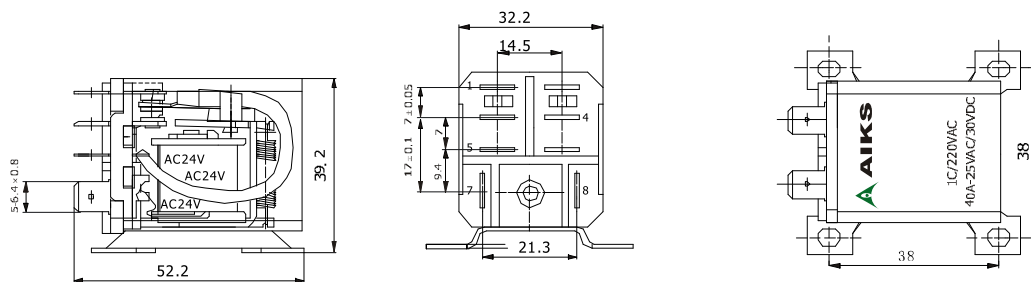
AR301F



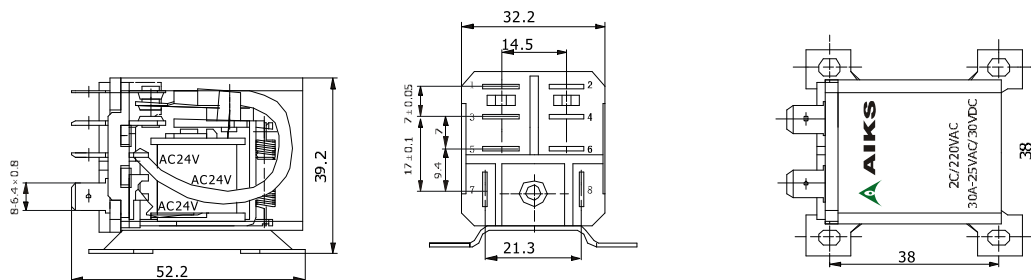
AR302F



AR301FZ

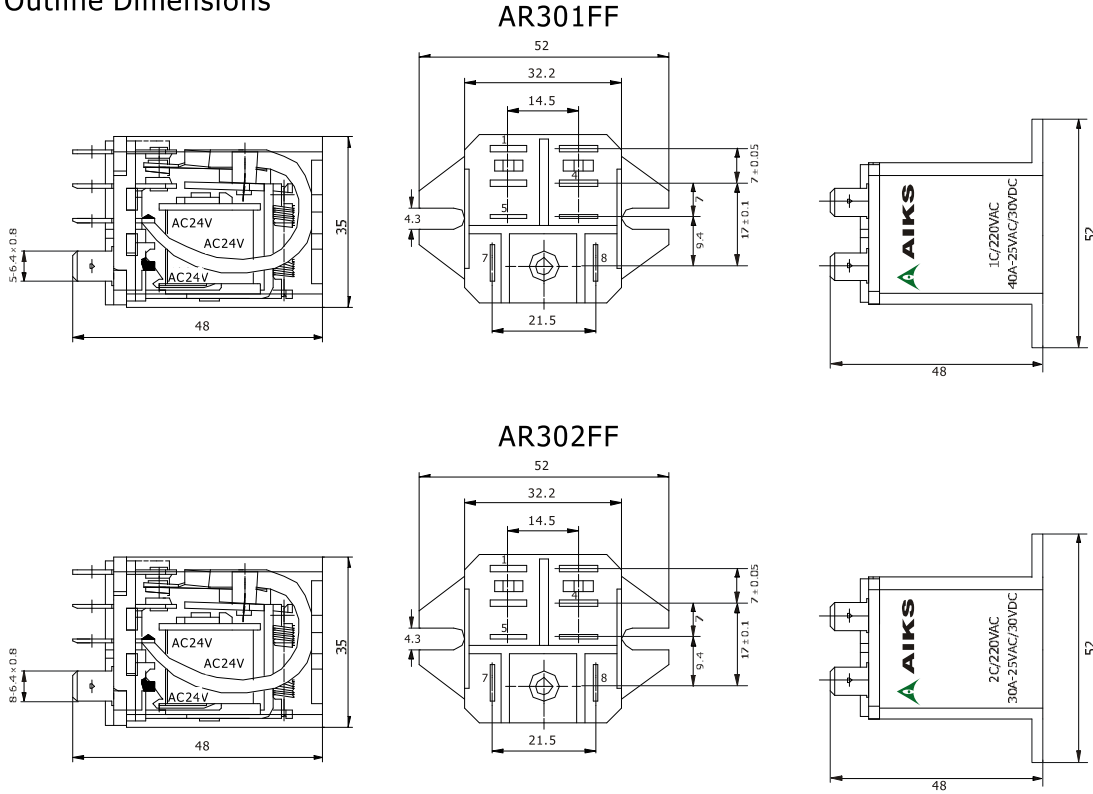


AR302FZ



▶ OUTLINE DIMENSIONS, WIRING DIAGRAM AND PC BOARD LAYOUT Unit: mm

Outline Dimensions



Wiring Diagram



▶ COIL TEMP RISE

