

## AFR-1

### Features

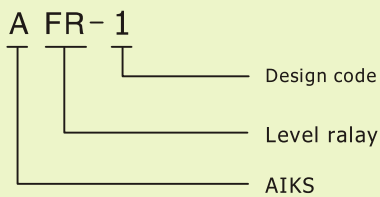
- By level of professional integrated chips and control circuits
- Good looks, small size, easy to wire
- Job stability, strong anti-interference
- Power consumption, large contact
- Voltage range
- Dimensions: 70×49×61(mm)



### ► Technical parameters

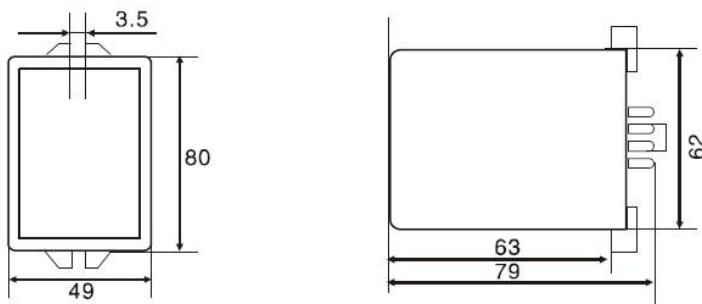
Rated voltage	AC:110V、220V、50/60Hz	Operation voltage	5~110%
Electrode voltage	8C、24V	Resistance movement	4KΩ
Release resistance	15KΩ	Reaction time	80
Degree of contact capacity	5A、250VA	Cable length	1K
Mechanical life	$5 \times 10^6$	Electrical life	$10^5$
Insulation resistance	100MΩ(DC500V)	Dielectric rigidity	1500VA、50/60Hz
Ambient temperature	100MΩ(DC500V)	Power consumption	3.2VA

### ► MODEL DESCRIPTION

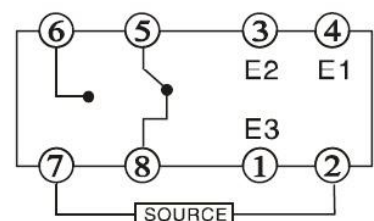


### ► INSTALLATION DIMENSIONS, CIRCUIT DIAGRAM Unit: mm

Installation dimensions

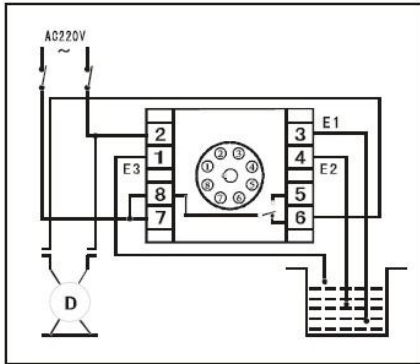


CIRCUIT diagram



▶ Wiring diagram

(供水接线图 Water supply wiring diagram)



(排水接线图 Draining water wiring diagram)

