

## ACR04F Series

### Features

- 30A switching capability
- 1 form A & form C contact arrangement
- Plastic Sealed and dust protected types available
- Outline dimensions: 23.0×15.5×25.4mm



### ▶ CONTACT DATA

Contact arrangement	1A	1C
Contact Resistance	100mΩ (1A 24 VDC)	
Contact material	AgCdO, AgSnO <sub>2</sub>	
Contact rating(Res.load)	1A 6VDC	
Max.switching power	560W	
Max.switching voltage	Resistive:27VDC	
Max.switching current	30A	
Mechanical endurance	1×10 <sup>7</sup> OPS	
Electrical endurance	1×10 <sup>5</sup> OPS	

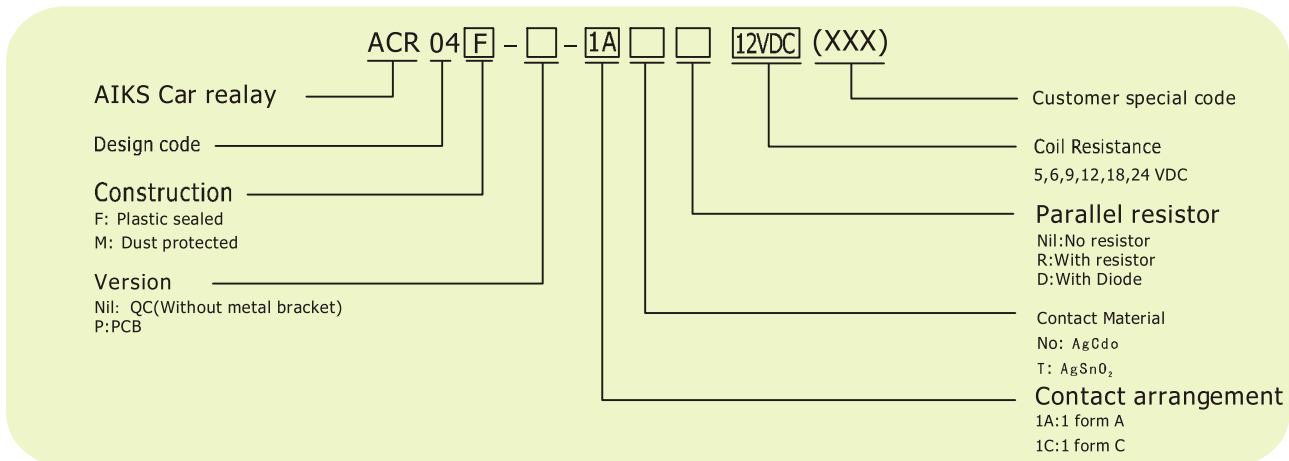
### ▶ CHARACTERISTICS

Insulation resistance	500MΩ (500VDC)	
Dielectric strenght	Between coil & contacts	500VAC 1min
	Between open contacts	500VAC 1min
Operate time(at nomi.volt)	10ms max.	
Release time(at nomi.volt)	10ms max.	
Shock resistance	Functional	196m/s <sup>2</sup> (20g)
	Destructive	196m/s <sup>2</sup> (20g)
Vibration resistance	10Hz ~500Hz 49m/s <sup>2</sup> (5g)	
Humidity	98% RH,40℃	
Ambient temperature	-40℃ ~125℃	
Termination	QC,PCB	
Unit weight	Approx.22g	
Construction	Plastic Sealed,Dust protected	

► **COIL DATA** at 23°C

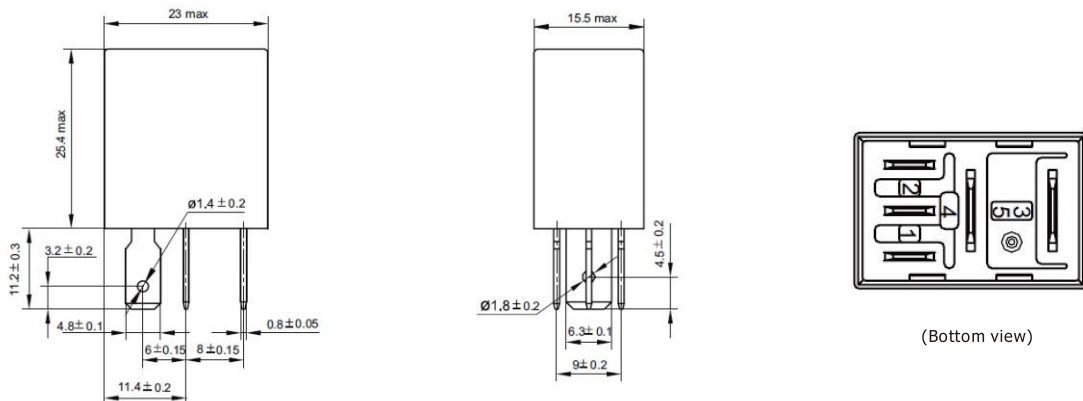
	Nominal Voltage VDC	Pick-up Voltage VDC	Drop-out Voltage VDC	Coil Resistance $\times (1 \pm 10\%) \Omega$	Parallel resistance <sup>2)</sup> $\times (1 \pm 5\%) \Omega$	Equivalent resistance $\Omega$	Power consumption W	Max. allowable overdrive Voltage <sup>1)</sup> VDC	
								23 °C	85 °C
Standard	12	7.8	1.2	90	-	-	1.6	20	15
	12	7.8	1.2	90	680	79.5	1.8	20	18
	24	15.6	2.4	360	-	-	1.6	40	30
	24	15.6	2.4	360	2700	317.6	1.8	40	30
Sensitive (L)	12	7.8	1.2	124	-	-	1.2	25	19
	12	7.8	1.2	124	680	104.9	1.3	20	15
	24	15.6	2.4	441	-	-	1.3	47	35
	24	15.6	2.4	441	1800	354.2	1.6	33	25

► **MODEL DESCRIPTION**



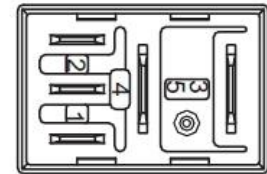
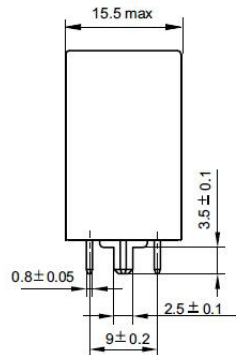
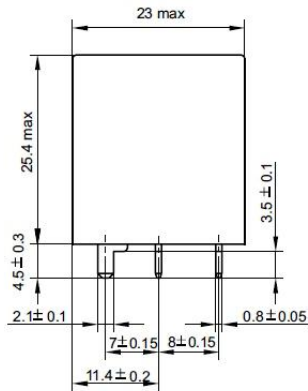
► **OUTLINE DIMENSIONS, WIRING DIAGRAM AND PC BOARD LAYOUT** Unit: mm

ACR04F(QC)



▶ **OUTLINE DIMENSIONS, WIRING DIAGRAM AND PC BOARD LAYOUT** Unit: mm

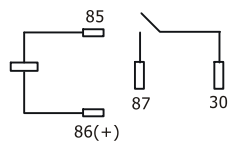
ACR04F(PCB)



(Bottom view)

(PC board layout)

1A



1C

